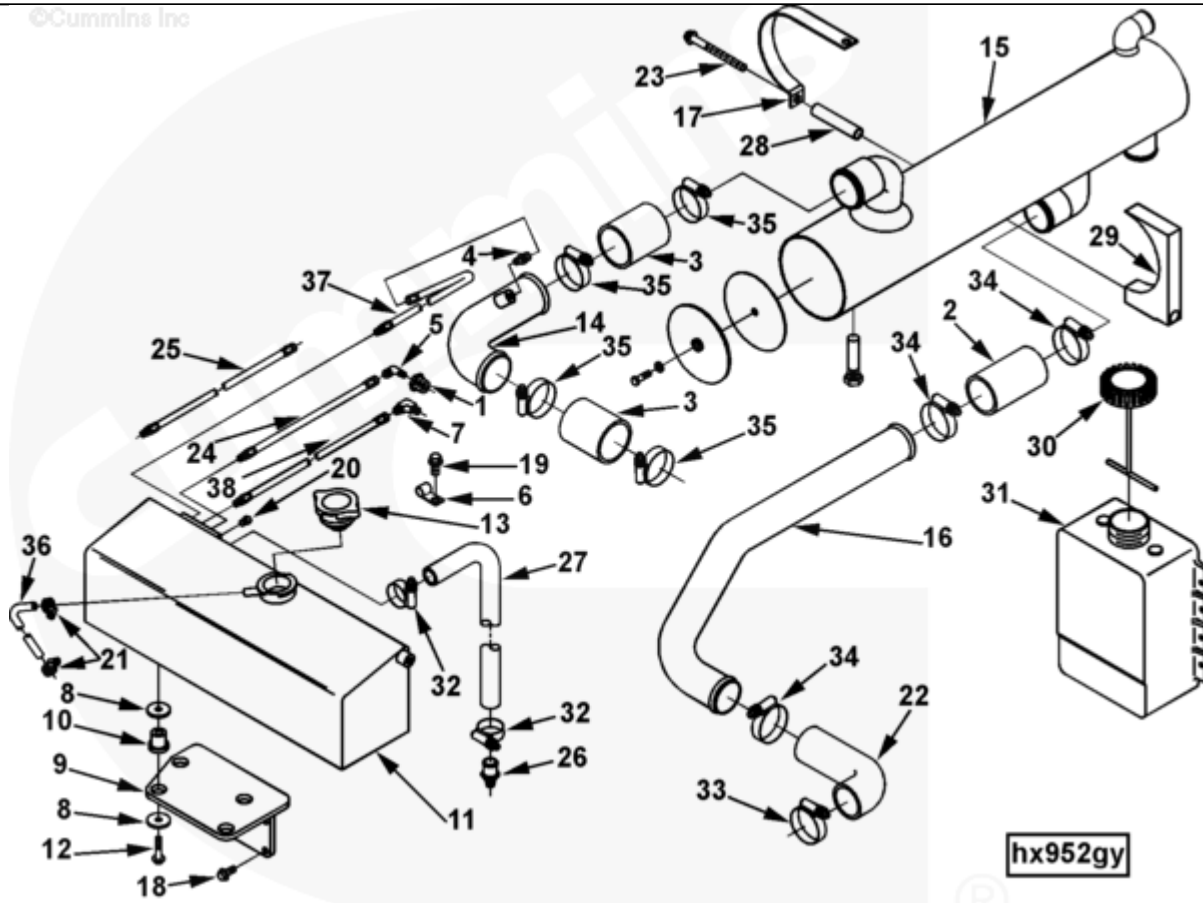




Parts Catalog - Option Detail

Electronic Parts Catalog - Option Detail				
Option	Group	Graphic	Film Card	Date
HX9066-02	08.10	hx952gy	Z	10-AUG-98
Engines	6C8.3, C GAS PLUS CM556, G8.3, G8.3 CM558, GTA8.3 CM558, ISC CM2150, ISC CM554, ISC CM850, ISC8.3 CM2250, ISC8.3 G CM2180 C101, ISL CM2150, ISL CM554, ISL CM850, ISL G CM2180, ISL8.9 CM2150 L110, ISL8.9 CM2880 L112, ISL9 CM2150 SN, ISL9 CM2250, ISL9 CM2350 L101, ISL9 CM2350 L111, ISLE4 CM850, L GAS PLUS CM556, L8.9, L8.9 L121, L8.9G CMOH2.0 L125B, L9 CM2350 L116B, L9 CM2350 L119B, L9 CM2350 L120C, L9 CM2350 L123B, L9.3 L105, L9.5 L117, L9N CM2380 L124B, QSC8.3 CM2250, QSC8.3 CM2880 C102, QSC8.3 CM554, QSC8.3 CM850(CM2850), QSL9 CM2250, QSL9 CM2250 L115, QSL9 CM2350 L102, QSL9 CM2350 L107, QSL9 CM2350 L118, QSL9 CM2350 L122, QSL9 CM554, QSL9 CM850(CM2850), QSL9 G CM558, QSL9 M CM2250 L106, QSL9.3 CM2880 L113			



SMALL | MEDIUM | LARGE

Cart	Ref No	Part Number	Part Description	Required	Remarks
<input type="button" value="View My Cart"/>					
		HX9066-02	Heat Exchanger		
					Mounting Location: Exhaust
					Side, Horizontal

					Expansion Tank Fill:
					Standard, Front Center of
					Tank.
					Sea Water Outlet:
					1.75 90 degree Rear Facing
					Engine Water Inlet: 2.25
					inch
					Engine Water Outlet:
					2.0 inch
					Engine Aspiration:
					Turbocharged and Sea Water
					Aftercooled.
<input type="checkbox"/>	1	S 931 C	Reducing Pipe Bushing	1	1/2 NPTF(Ext) x 1/8 NPTF(Int)
<input type="checkbox"/>	2	63241 N	Plain Hose	1	
<input type="checkbox"/>	3	67185	Plain Hose	2	
<input type="checkbox"/>	4	68138	Male Connector	1	1/8 NPTF x 7/16-20
<input type="checkbox"/>	5	68139	Male Adapter Elbow	1	1/8 NPTF X 7/16 - 20 (90).
<input type="checkbox"/>	6	108722	Clip	2	
<input type="checkbox"/>	7	112105	Male Adapter Elbow	1	
<input type="checkbox"/>		3348820	Expansion Tank	1	
<input type="checkbox"/>	8	204991	Plain Washer	8	5/16 in.
<input type="checkbox"/>	9	3393943	Expansion Tank Bracket	1	
<input type="checkbox"/>	10	3393944	Vibration Isolator	4	
<input type="checkbox"/>	11	3393949	Expansion Tank	1	
<input type="checkbox"/>	12	3900632	Hexagon Flange Head Cap Screw	4	M8 X 1.25 X 35.
<input type="checkbox"/>	13	3393978	Filler Cap	1	
<input type="checkbox"/>	14	3897020	Water Outlet Tube	1	
<input type="checkbox"/>	15	3912145	Heat Exchanger	1	

<input type="checkbox"/>	16	3897698	Water Transfer Tube	1	
		3897717	Retaining Clamp	1	Purchase Individual Parts
<input type="checkbox"/>	17	3897712	Retaining Clamp	1	
<input type="checkbox"/>	18	3900630	Hexagon Flange Head Cap Screw	4	M8 X 1.25 X 20
<input type="checkbox"/>	19	3903990	Hexagon Flange Head Cap Screw	2	M10 X 1.50 X 20.
<input type="checkbox"/>	20	3906619	Pipe Plug	1	1/8 NPT.
<input type="checkbox"/>	21	3910509	Hose Clamp	2	1/4 - 7/8 in.
<input type="checkbox"/>	22	3912177	Elbow Hose	1	
<input type="checkbox"/>	23	3914407	Hexagon Flange Head Cap Screw	2	M10 x 1.50 x 100
<input type="checkbox"/>	24	3918494	Flexible Hose	1	
<input type="checkbox"/>	25	3918495	Flexible Hose	1	
<input type="checkbox"/>	26	3918566	Plain Hose Coupling	1	
<input type="checkbox"/>	27	3918923	Plain Hose	1	
<input type="checkbox"/>		3921693	Vibration Isolator	2	
<input type="checkbox"/>	28	3282826	Mounting Spacer	1	
	29	3921694	Vibration Isolator	1	Service As 3921693
<input type="checkbox"/>		3922500	Coolant Recovery Reservoir	1	
<input type="checkbox"/>	30	3921339	Expansion Tank Cap	1	
	31	3921480	Coolant Recovery Reservoir	1	
<input type="checkbox"/>	32	3922842	Hose Clamp	2	
<input type="checkbox"/>	33	3922846	Hose Clamp	2	
<input type="checkbox"/>	34	3922847	Hose Clamp	3	
<input type="checkbox"/>	35	3922849	Hose Clamp	4	
<input type="checkbox"/>	36	3924493	Plain Hose	1	
<input type="checkbox"/>	37	3918493	Flexible Hose	1	
<input type="checkbox"/>	38	3924817	Flexible Hose	1	